



MOBALine Time Distribution

MOBALine-Booster

The MOBALine-Booster is a device for the amplification of MOBALine signals.

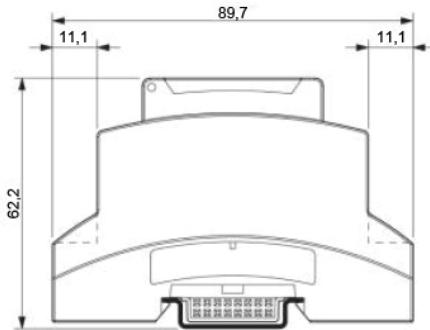
Your benefits at a glance:

- Existing installations can easily be extended without the need for an additional master clock
- Clock line extensions of more than 1000 meters and with approximately 70 additional clocks are achievable
- Intelligent distribution concept by separating lines per floor or building
- Monitoring of input MOBALine signal, external supply voltage and MOBALine output signal (overload detection)

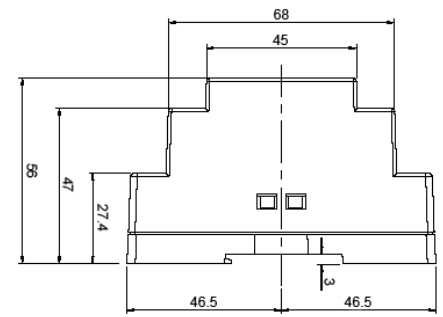
MOBALine-Booster - Technical details

Main features

- Monitoring of MOBALine input voltage, external supply voltage and MOBALine output current (overload detection)
- Automatic switch off in case of error detection
- Alarms are signaled by an alarm relay and a LED
- Automatic restart after the error has been fixed



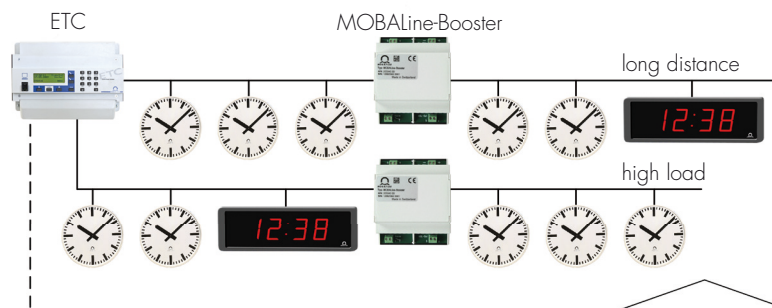
MOBALine-Booster
Dimensions (W x H x D): 71.6 x 89.7 x 62.2 mm



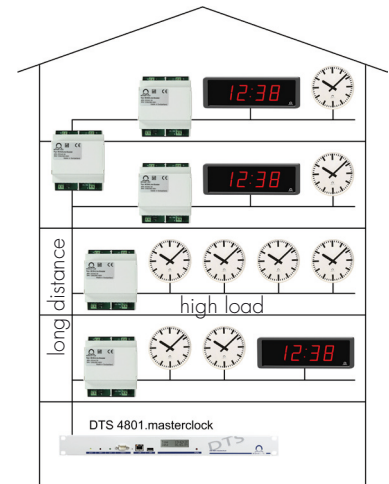
External Power Supply
Dimensions (W x H x D): 78 x 93 x 59 mm

Application

- Extension of existing installations with approximately 70 additional clocks, switch relays, interfaces...
- Transparent amplification of the MOBALine input signal
- MOBALine extension in large buildings with distances of more than 1000 meters
- Intelligent distribution concept by separating lines per floor or building



MOBALine extension in large buildings



intelligent distribution concept

Technical data		MOBALine-Booster (Art.Nr. 205042.00)	
MOBALine input	Minimum level	10 Veff	
	Load	< 1 mA	
MOBALine output	Maximum output load	800 mA	
	Output voltage	15 - 18 Veff	
Supply	Voltage range	24 - 30 VDC	
	Max. input current	1 A	
Display	Alarm	red LED	
	Power	green LED	
Alarm relay	DC load	30W, max. 60 VDC or 1 A	
	AC load	60VA, max. 30 VAC or 1 A	
Cascading	Max. 2 MOBALine-Boosters in series		
Environment	Temperature	0... +70 °C	
Dimensions (W x H x D)		71.6 x 89.7 x 62.2 mm	
Technical data		External power supply (Art.Nr. 701722)	
Input	AC voltage range	85 - 264 VAC	
	AC frequency range	47 - 63 Hz	
Output	Output voltage	24 V (adjustable)	
	Output current	0 - 1.5 A	
Environment	Temperature	-20... +60 °C	
Dimensions (W x H x D)		78 x 93 x 59 mm	

Scope of delivery

- MOBALine-Booster for DIN rail mounting
- Switch-mode power supply (DIN rail mounting) for MOBALine-Booster
- Wall mounting set comprising: DIN rails, dowels, and screws
- Power supply cable between switch-mode power supply and MOBALine-Booster