

DIGITAL INDOOR CLOCK

ECO-DC

The ECO-DC series are digital clocks in 7 segment LED technique at an economical price, designed in an elegant and slim case, for time, date or alternating time/date display.



FEATURES

DISPLAY

- continuous display of time, date, temperature or stopwatch
- alternating display of time, date, calendar week, temperature, humidity, and atmospheric pressure, with customizable intervals from 0-60 seconds for each display
- manual or sensor-controlled automatic display brightness adjustment
- wide viewing angle (160°)

Time

- 12/24 hour cycle
- with or without leading zero
- AM/PM indication for 12 hour cycle

Date

- with or without leading zero

Temperature

- in °C or °F

HOUSING

- clock housing made of black ABS plastic
- anti-reflection front cover made of plexiglass, including a filter layer for optimal readability
- push buttons on the back of the housing

STOPWATCH

- counting up from zero, up to 24 hours
- counting down from a predefined time value, with stop at zero, automatic restart from predefined time or counting into negative values
- display of intermediate time values, display "freeze"
- counting in steps of 1 day, 1 minute, 1 second
- or 1/100 seconds
- possibility to connect another display unit
- possibility of parallel switching over into the time and date or temperature display mode

CONFIGURATION

- setting of the clock parameters, as well as time, date, and stopwatch control by means of push buttons or IR remote controller; stopwatch can additionally be controlled via big red button

SYNCHRONIZATION

- autonomous operation with internal quartz base
- accuracy ± 0.1 s/day at constant temperature – software trimming
- possibility to configure any time zone
- NTP multicast or unicast synchronization, powered over Ethernet (PoE) or mains
- MOBALine, impulse line, DCF or IRIG-B, mains powered
- RTC backup by means of supercapacitor (lithium battery on request)

NETWORK

- IPv4 and IPv6 support
- DHCPv4, DHCPv6 / manual configuration of the clock parameters or configuration via web interface
- DHCPv4, DHCPv6 private strings allow easy configuration of clock parameters when connected to LAN

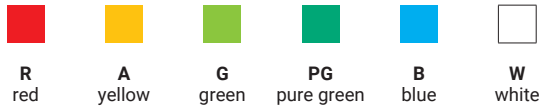
ORDER KEY

1 FORMAT

Digit height	10:08	10:08 ²⁵	10:08:25	Reading distance
57 mm	57.4	57.6	57x.6 ¹	25–30 m
75 mm	75.4	75.6	75x.6	30–40 m
100 mm	100.4	100.6	100x.6 ¹	40–60 m

¹ only available with red display

2 DISPLAY COLOR



3 INSTALLATION



WALL MOUNTING

N.N (single-sided)



CEILING SUSPENSION

N.S (single-sided)
D.S (double-sided)



WALL BRACKET MOUNTING

N.B (single-sided)
D.B (double-sided)

4 SYNCHRONIZATION

CODE	SYNCHRONIZATION	POWER SUPPLY
NTP	NTP	Mains
PoE	NTP ¹	PoE
WiFi	WiFi (2.4 GHz), NTP	Mains
WiFi5	WiFi (2.4/5.0 GHz), NTP	Mains
LGC	MOBALine / DCF / IRIG-B / (un)polarized 24 VDC pulses	Mains

5 OPTIONS

CODE	OPTION
VDC	Power supply via 18–56 VDC
RP	Redundant power supply (PoE + 24 VDC)
SL	SMD diode display
IP 32	IP 32 safety rating

6 ACCESSORIES

CODE	OPTION
IR	infrared remote control
SK	keyboard for stopwatch control, 5m cable
SKH	stainless steel keyboard for clock and stopwatch control, 5m cable, handheld
SKF	stainless steel keyboard for clock and stopwatch control, flush mounting
SKW	stainless steel keyboard for clock and stopwatch control, wall mounting
TP 3m	temperature sensor, IP 66, 3m cable
TP 30m	temperature sensor, IP 66, 30m cable
TPH 1m	temperature and humidity sensor, IP 66, 1m cable
BRB10	big red button for stopwatch control
CB	Code Blue signal receiver, AC/DC input range 7–350 V

ORDER CODE

ECO-DC . 1 . 2 . 3 . 4 . 5 . 6

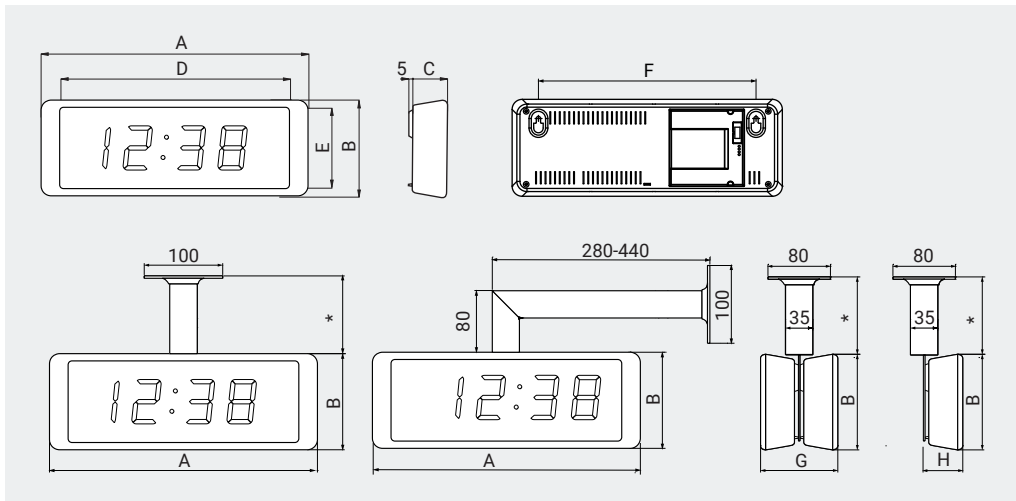
Example: ECO-DC.57.4.R.N.N.NTP

TECHNICAL DATA

ECO-DC	57.4	57.6	57x.6	75.4	75.6	75x.6	100.4	100.6	100x.6	
Digit height (mm)	57	57/38	57	75	75/57	75	100	100/57	100	
Display features	Time display in 12-hour or 24-hour format Alternating display of time, date and temperature (in C° or F°, with external temperature sensor connected) ¹ Automatic or manual display brightness adjustment Stopwatch (count up to 24 hours, countdown from set value, display of time intervals, freezing of display...) ¹ Stopwatch operation via push buttons, IR remote control ¹									
Material	Housing: plastic Cover glass: anti-reflective plexiglass									
Power supply	Standard: 100 – 240 VAC, 50 – 60 Hz VDC (option, not for PoE version): 24 VDC PoE version: PoE (IEEE 802.3af class 0)									
Power consumption (VA)	SS	7	8	8	7	8	8	7	8	10
	DS	11	16	16	11	16	16	11	16	18
	SS PoE	7	8	8	7	8	8	7	8	10
	DS PoE	11	15	15	11	15	15	11	15	15
Quartz accuracy at 20 °C	± 0.1 seconds/day without synchronization (after 24 hours of synchronization at constant temperature)									
RTC backup/quartz-based time maintenance	> 12 hours from supercapacitor									
Temperature precision	-25 to +85 °C: ±0.5 °C, -50 to +125 °C: ±2.0 °C									
Operating conditions	-5 to +55 °C (0 to 95% relative humidity, non-condensing)									
Degree of protection	IP 30; optionally IP 32 / IP 40									
Standards	2002/96/EC / 2011/65/EU / 2014/30/EU / 2014/35/EU / EN 50121-4 / EN 55022 / EN 55024 / EN 60950-1									
Weight (kg)	SS	0.75	1.15	1.25	1.25	1.6	1.8	1.8	1.9	2
	DS	2	2.8	3	3	3.7	4.1	4.1	4.3	4.5
Dimensions (in mm, see below)	A	341			580					
	B	122			180					
	C	44			53					
	D	292			520					
	E	104			150					
	F	275			520					
	G	99			120					
	H	52			60					

SS = single-sided; DS = double-sided

¹ only with option E



LE-800683.26 / 2023

*Have questions?
We are happy to help.*

Moser-Baer AG | Spitalstrasse 7 | CH-3454 Sumiswald
Tel. 034 432 46 46 | Fax 034 432 46 99
info@mobatime.com | www.mobatime.com

