

DIGITAL INDOOR CLOCK

DC

The slim housing of the DC models is packed with numerous functions and technical possibilities. The components can be individually selected to meet technical and visual requirements.



FEATURES

DISPLAY

- continuous display of time, date, temperature or stopwatch
- alternating display of time, date, calendar week, temperature, humidity, and atmospheric pressure, with customizable intervals from 0-60 seconds for each display
- manual or sensor-controlled automatic display brightness adjustment
- wide viewing angle (160°)

Time

- 12/24 hour cycle
- with or without leading zero
- AM/PM indication for 12 hour cycle

Date

- with or without leading zero

Temperature

- in °C or °F

HOUSING

- clock frame made of anodized aluminium profiles in black or silver, any RAL color on request
- anti-reflection front cover made of plexiglass, including a filter layer for optimal readability
- removable back panel with snap-on connection for easy installation and maintenance
- push buttons on the upper side of the frame

STOPWATCH

- counting up from zero, up to 24 hours
- counting down from a predefined time value, with stop at zero, automatic restart from predefined time or counting into negative values
- display of intermediate time values, display "freeze"
- counting in steps of 1 day, 1 minute, 1 second
- or 1/100 seconds
- possibility to connect another display unit
- possibility of parallel switching over into the time and date or temperature display mode

CONFIGURATION

- setting of the clock parameters, as well as time, date, and stopwatch control by means of push buttons or IR/RF remote controller; stopwatch can additionally be controlled via big red button

SYNCHRONIZATION

- autonomous operation with internal quartz base
- accuracy ± 0.1 s/day at constant temperature – software trimming
- possibility to configure any time zone
- NTP multicast or unicast synchronization, powered over Ethernet (PoE) or mains
- MOBALine, impulse line, DCF or IRIG-B, mains powered
- RTC backup by means of supercapacitor (lithium battery on request)

NETWORK

- IPv4 and IPv6 support
- DHCPv4, DHCPv6 / manual configuration of the clock parameters or configuration via web interface
- DHCPv4, DHCPv6 private strings allow easy configuration of clock parameters when connected to LAN

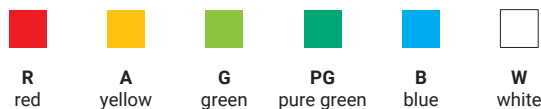
ORDER KEY

1 FORMAT

Digit height	10:08	10:08 ²⁵	10:08:25	Reading distance
57 mm	57.4	57.6	57x.6	25–30 m
75 mm	75.4	75.6	75x.6	30–40 m
100 mm	100.4	100.6	100x.6	40–60 m
180 mm	180.4	180.6	180x.6	70–100 m
250 mm ¹	250.4	-	250x.6	100–150 m

¹ only available with SMD LEDs (option SL)

2 DISPLAY COLOR



3 INSTALLATION



WALL MOUNTING
N.N (single-sided)



CEILING SUSPENSION
N.S (single-sided)
D.S (double-sided)



WALL BRACKET MOUNTING
N.B (single-sided)
D.B (double-sided)

4 SYNCHRONIZATION

CODE	SYNCHRONIZATION	POWER SUPPLY
NTP	NTP	Mains
PoE	NTP ¹	PoE
WiFi	WiFi (2.4 GHz), NTP	Mains
WiFi5	WiFi (2.4/5.0 GHz), NTP	Mains
LGC	MOBALine / DCF / IRIG-B / (un)polarized 24 VDC pulses	Mains

¹ DC 100x.6: only single-sided
DC 180: only 180.4 and 180x.6, with red / yellow display and option SL
DC 250: only 250.4 and 250x.6, single-sided, with red / yellow display and option SL

5 HOUSING COLOR



6 OPTIONS

CODE	OPTION
RS485	RS-485 interface
VDC	Power supply via 18–56 VDC
BAT	Lithium battery
REL	Internal relay ¹
REL-IP	Internal relay with firmware for switching functions ¹
RP	Redundant power supply (PoE + 24 VDC)
SL	SMD diode display ²
IP 54	IP 54 safety rating ³

¹ not available for DC 57.4

² not available for DC 75, DC with green display

³ not available for DC 180, DC 250

7 ACCESSORIES

CODE	OPTION
IR	infrared remote control
RF	long-range radio frequency/infrared remote control
AD 650	DCF77 radio signal receiver
GNSS 4500	GNSS receiver including antenna
SK	keyboard for stopwatch control, 5m cable
SKH	stainless steel keyboard for clock and stopwatch control, 5m cable, handheld
SKF	stainless steel keyboard for clock and stopwatch control, flush mounting
SKW	stainless steel keyboard for clock and stopwatch control, wall mounting
TP 3m	temperature sensor, IP 66, 3m cable
TP 30m	temperature sensor, IP 66, 30m cable
TPH 1m	temperature and humidity sensor, IP 66, 1m cable
BRB10	big red button for stopwatch control
CB	Code Blue signal receiver, AC/DC input range 7–350 V

ORDER CODE

DC . 1 . 2 . 3 . 4 . 5 . 6 . 7

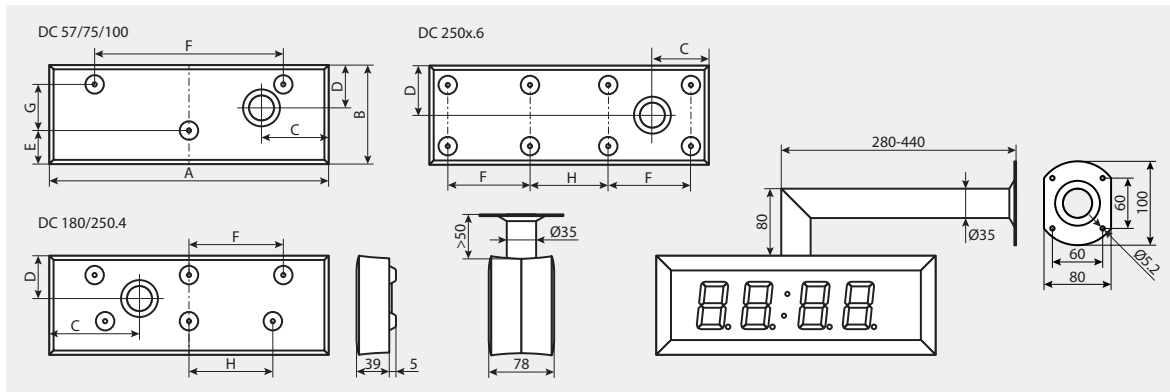
Example: DC.57.4.R.N.N.NTP.black

TECHNICAL DATA

DC	57.4	57.6	57x.6	75.4	75.6	75x.6	100.4	100.6	100x.6	180.4	180.6	180x.6	250.4	250x.6	
Digit height (mm)	57	57/38	57	75	75/57	75	100	100/57	100	180	180/100	180	250	250	
Display features	Time display in 12-hour or 24-hour format Alternating display of time, date, temperature ¹ (in C° or F°), air pressure ¹ and humidity ¹ Automatic or manual display brightness adjustment Stopwatch (count up to 24 hours, countdown from set value, display of time intervals, freezing of display...) Stopwatch operation via push buttons, IR remote control														
Material	Housing: aluminum Cover glass: anti-reflective plexiglass														
Power supply	Mains	Standard: 100 – 240 VAC, 50 – 60 Hz VDC (on request): 18 – 56 VDC (18 – 40 VAC) VDC 12V (on request): 12 – 16 VDC													
	PoE	IEEE 802.3af-Class 3										-		IEEE 802.3af-Class 3	
Power consumption (VA)	SS	7	8	8	7	8	8	7	8	10	25	30	36	8 ²	12 ²
	DS	11	16	16	11	16	16	11	16	18	50	60	75	16 ²	122 ²
	SS PoE	7	8	8	7	8	8	7	8	10	6 ²	-	7 ²	8 ²	12 ²
	DS PoE	11	15	15	11	15	15	11	15	15	10 ²	-	13 ²	-	-
Quartz accuracy at 20 °C	± 0.1 seconds/day without synchronization (after 24 hours of synchronization at constant temperature)														
RTC backup/ quartz-based time maintenance	Mains power supply	from lithium battery: > 2 years (without power supply) / > 15 years (with power supply)													
	PoE power supply	no time maintenance													
Operating conditions	-5 to +55 °C (0 to 95% relative humidity, non-condensing)														
Degree of protection	IP 40, optionally IP 54										IP 40				
Standards	2002/96/EC / 2011/65/EU / 2014/30/EU / 2014/35/EU / EN 50121-4 / EN 55022 / EN 55024 / EN 60950-1														
Weight (kg)	SS	1.4	1.8	1.9	1.9	2.4	2.5	2.4	3.1	3.5	6.3	9.3	10.4	10	14
	DS	2.6	3.0	3.2	3.5	4.2	4.3	4.4	5.6	6.0	10.2	15.3	17.6	15	20
Dimensions (in mm, see below)	A	333	423	454	400	525	550	510	652	728	880	1146	1260	1230	1720
	B	118	118	118	140	140	140	169	169	169	264	264	264	350	350
	C	80	80	80	80	80	80	80	80	80	300	470	275	980	250
	D	51	51	51	55	55	55	51	51	51	120	120	120	175	175
	E	40	40	40	35	35	35	36	36	36	44	44	44	40	40
	F	225	225	256	300	425	450	300	400	470	300	400	520	575	555
	G	55	55	55	75	75	75	110	110	110	180	180	180	270	270
	H	-	-	-	-	-	-	-	-	-	-	260	450	520	575

SS = single-sided; DS = double-sided

¹ only with external temperature sensor ² only with SL option



LE-800295.27 / 2023

*Have questions?
We are happy to help.*

Moser-Baer AG | Spitalstrasse 7 | CH-3454 Sumiswald
 Tel. 034 432 46 46 | Fax 034 432 46 99
 info@mobatime.com | www.mobatime.com

